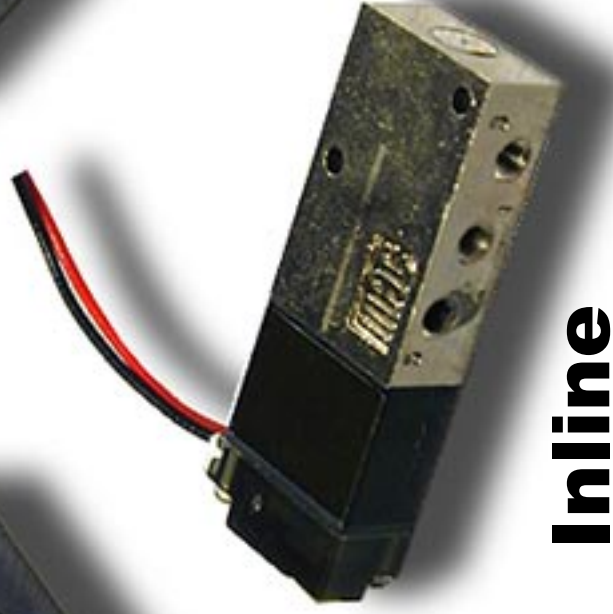
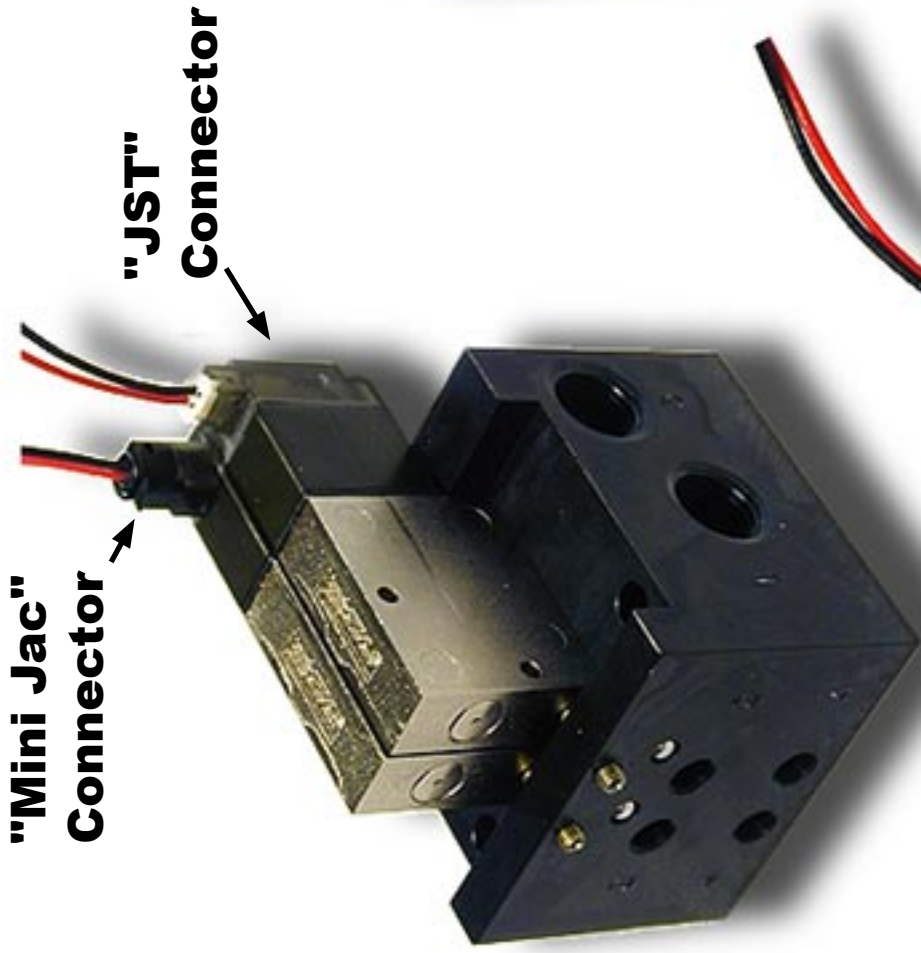


43 Series



How to Order 43 Series (8mm Valve)

43A - X X X - RXXX-XXX

Solenoid Assembly

Body Type

- A Inline 5 - Port
- L Base Mount Body

Port Size

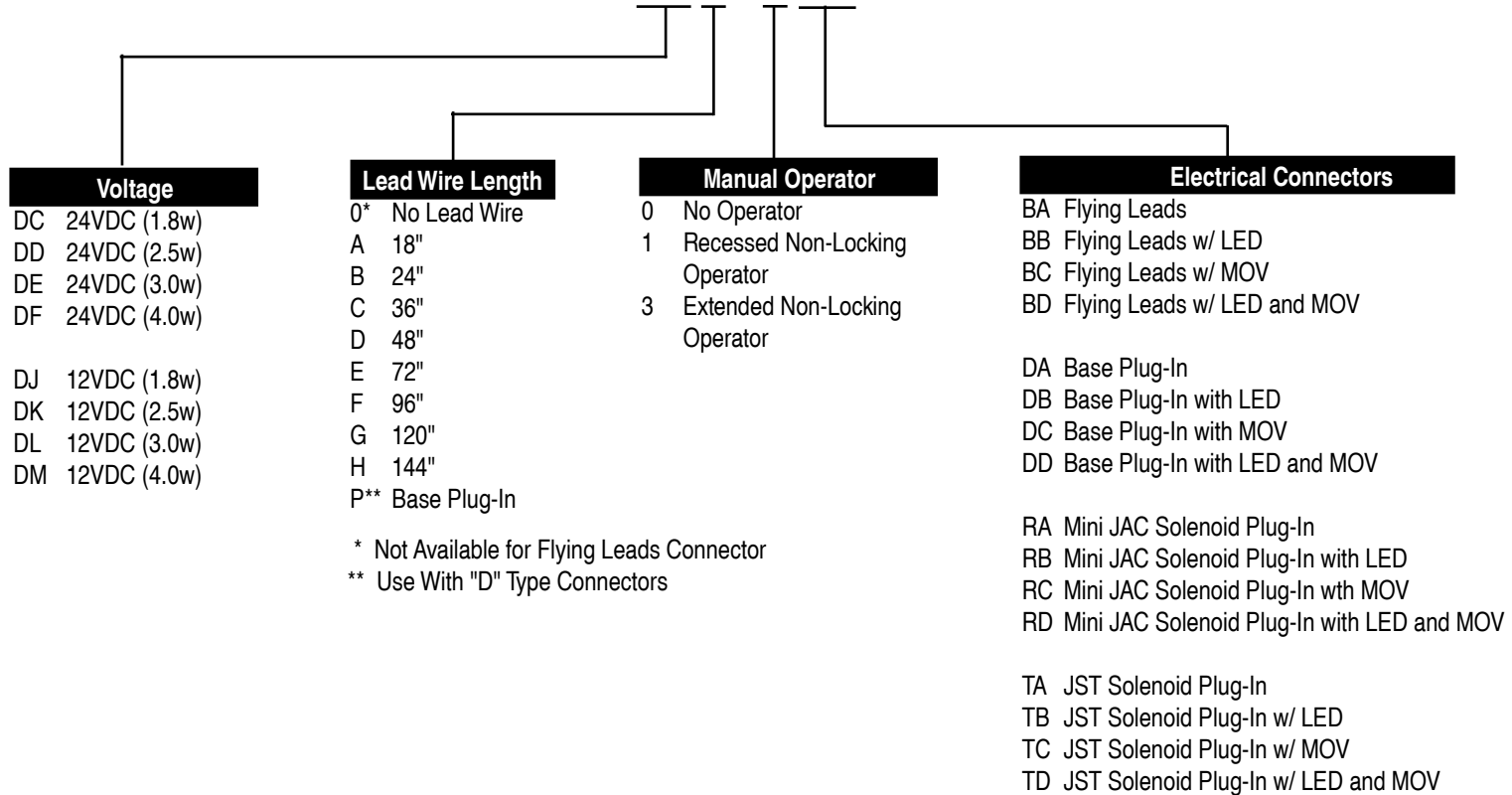
- 0 Base Mount Body
- A M3 Metric

Configuration

- 0 Base Mount Body
- A Inline Body

How to Order 43 Series Solenoid Assembly

R XX X - X XX

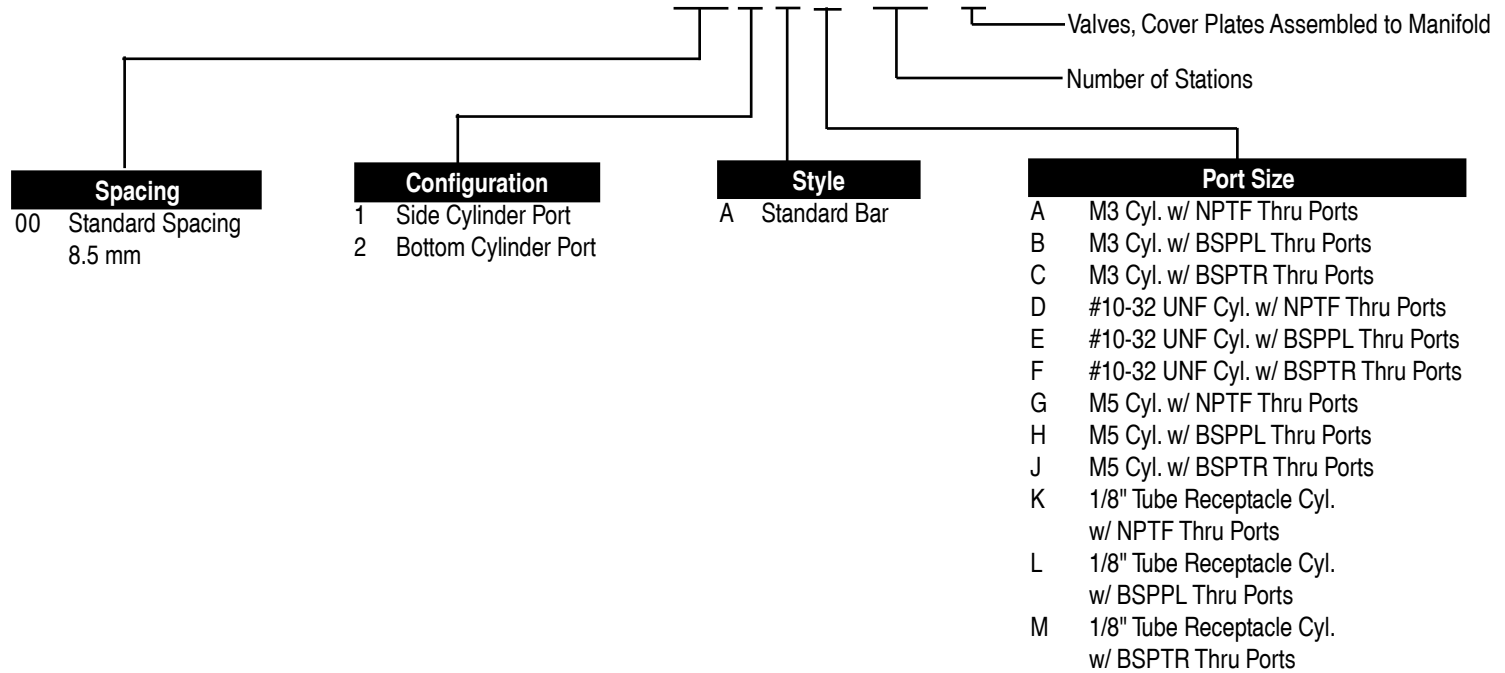


* Not Available for Flying Leads Connector

** Use With "D" Type Connectors

How to Order 43 Series EBP Circuit Bar

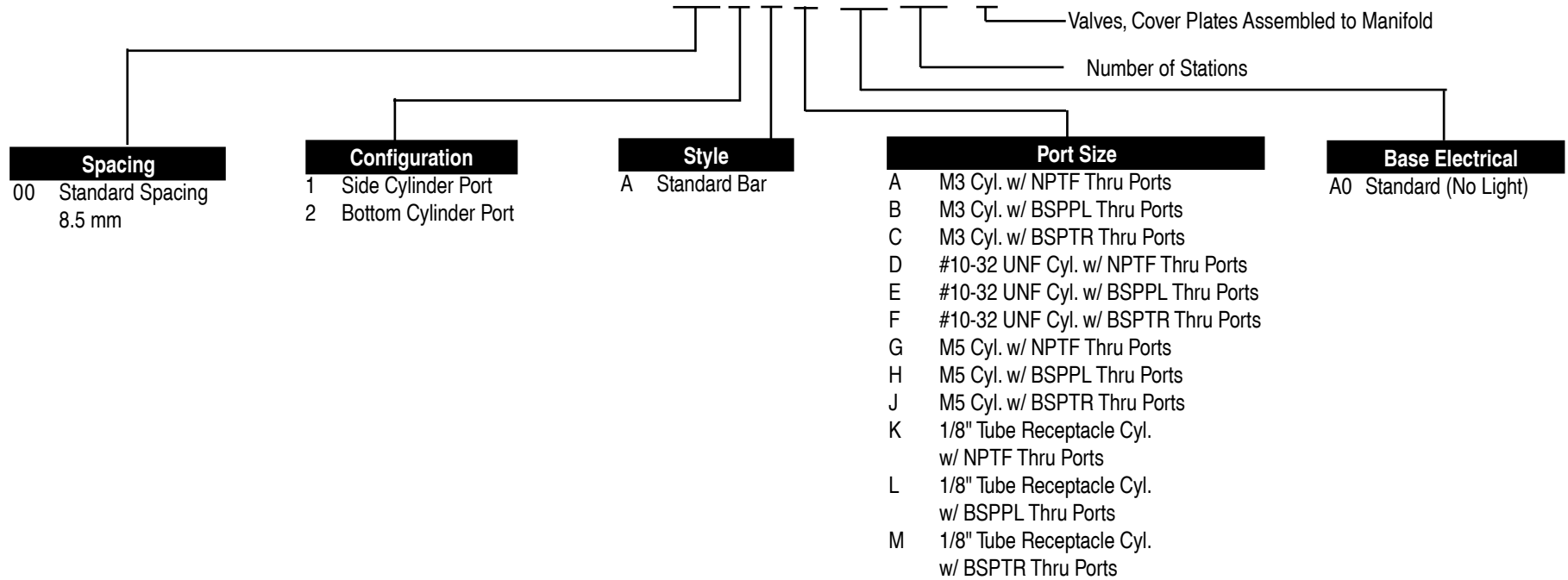
EBP43A - XX X X X - XX - 9



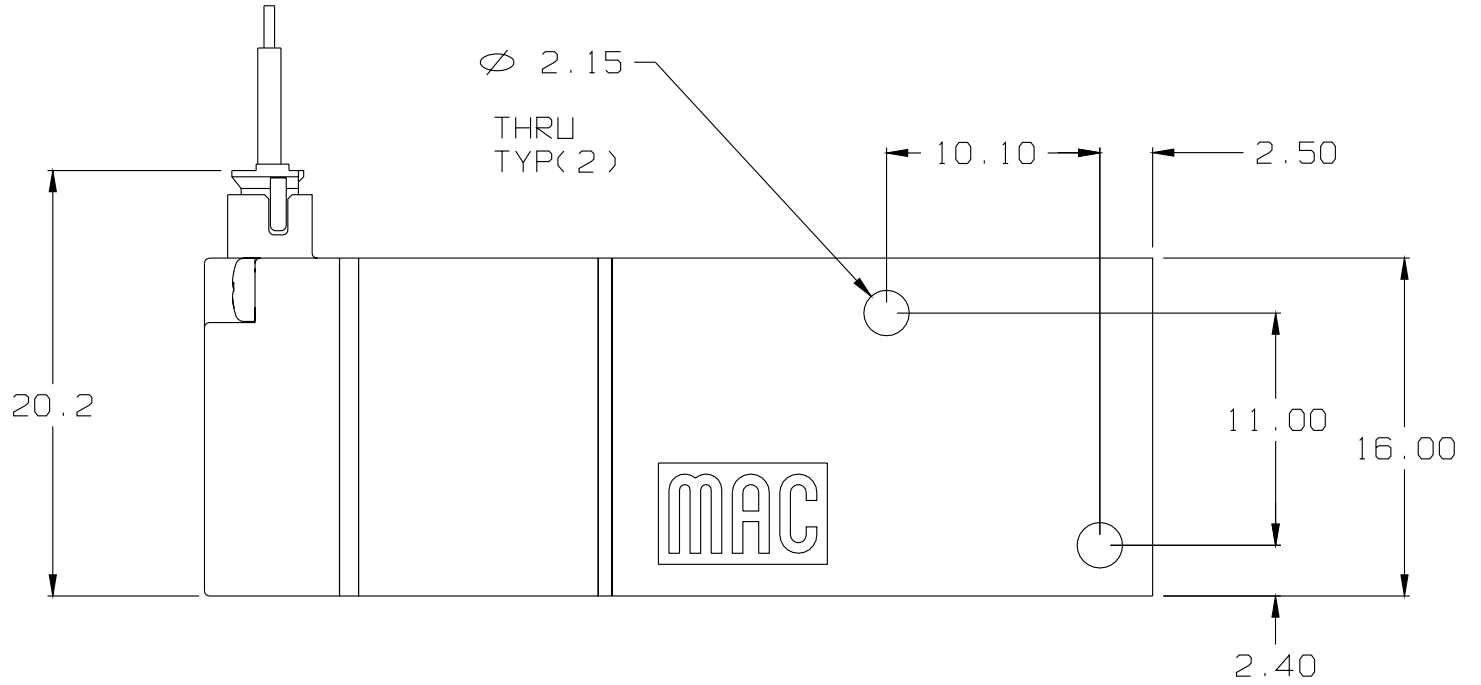
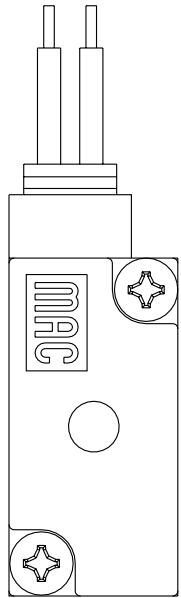
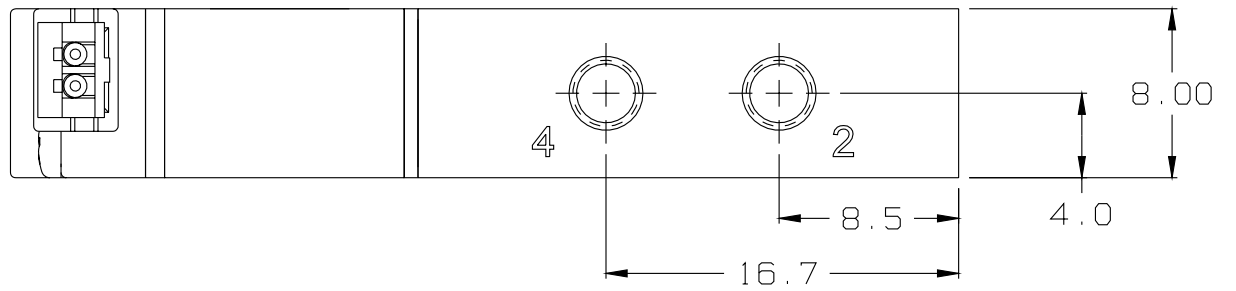
Note: Thru Ports are 1/8"

How to Order 43 Series ECD Circuit Bar

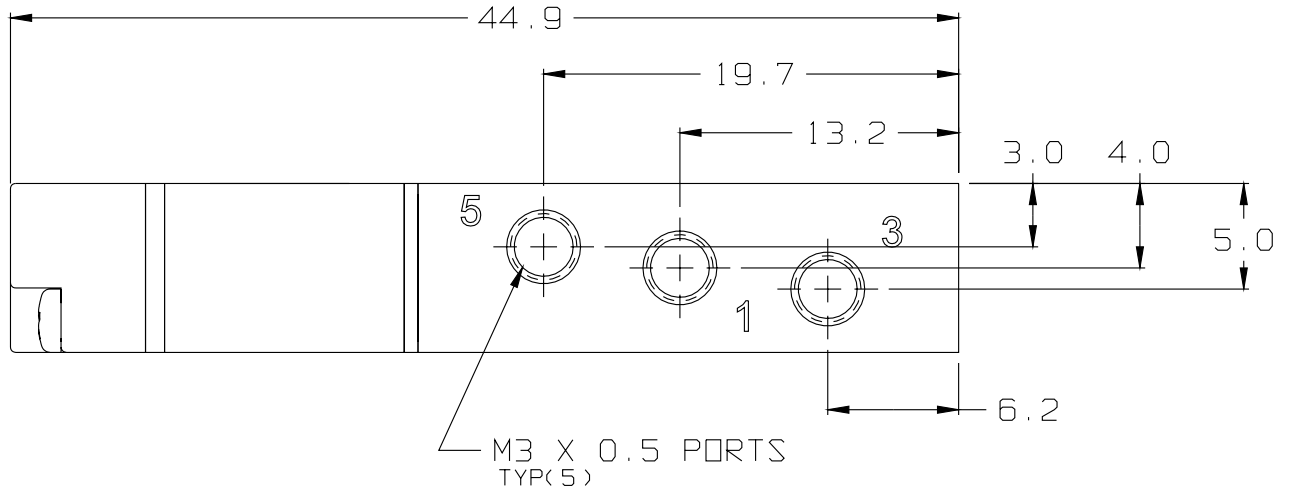
ECD43A - XX X X X - XX XX - 9

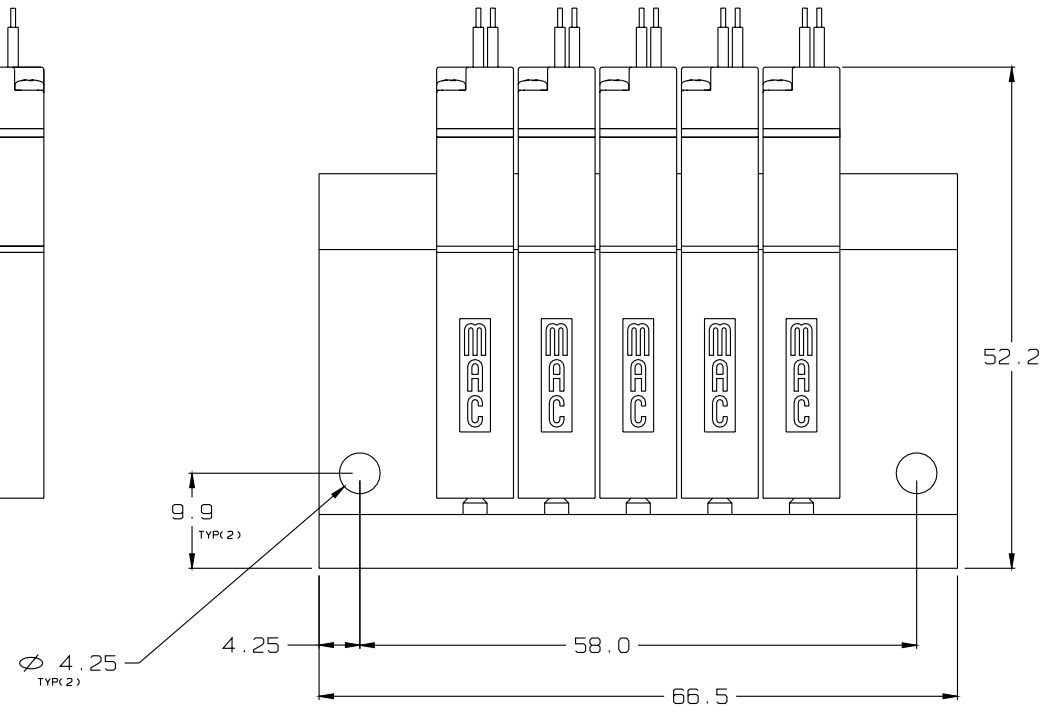
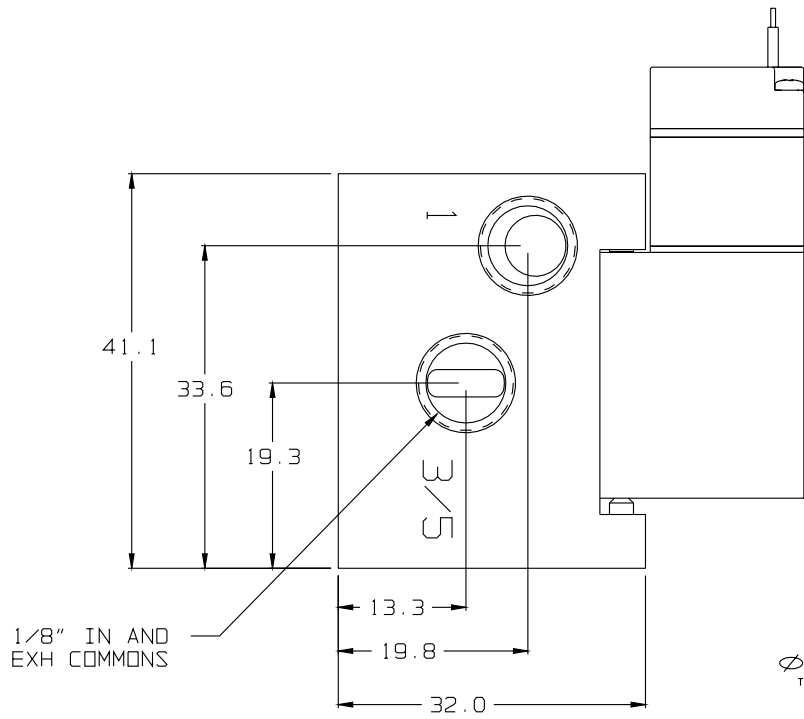


Replacement Parts and Accessories
 Consult Factory Blank Station Kit
 N-33001 Body to Bar Fastening Kit



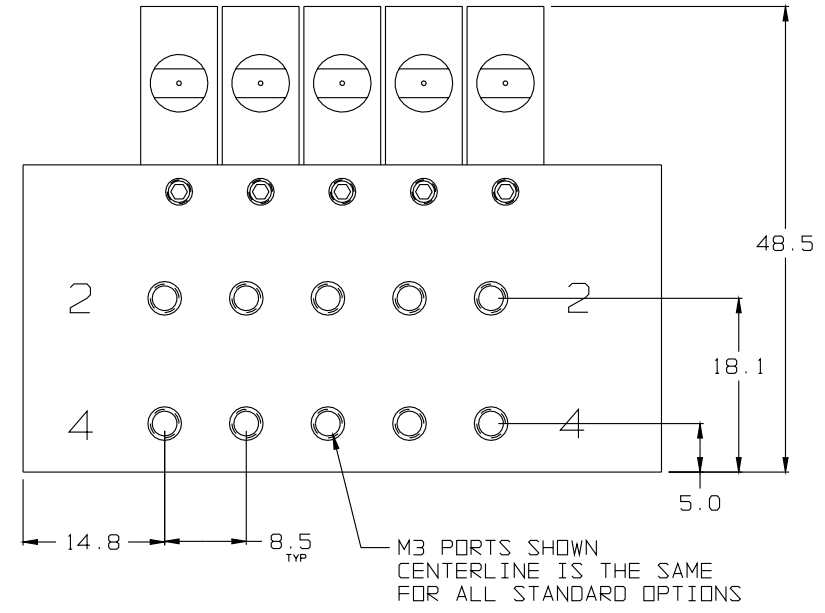
43 SERIES INLINE

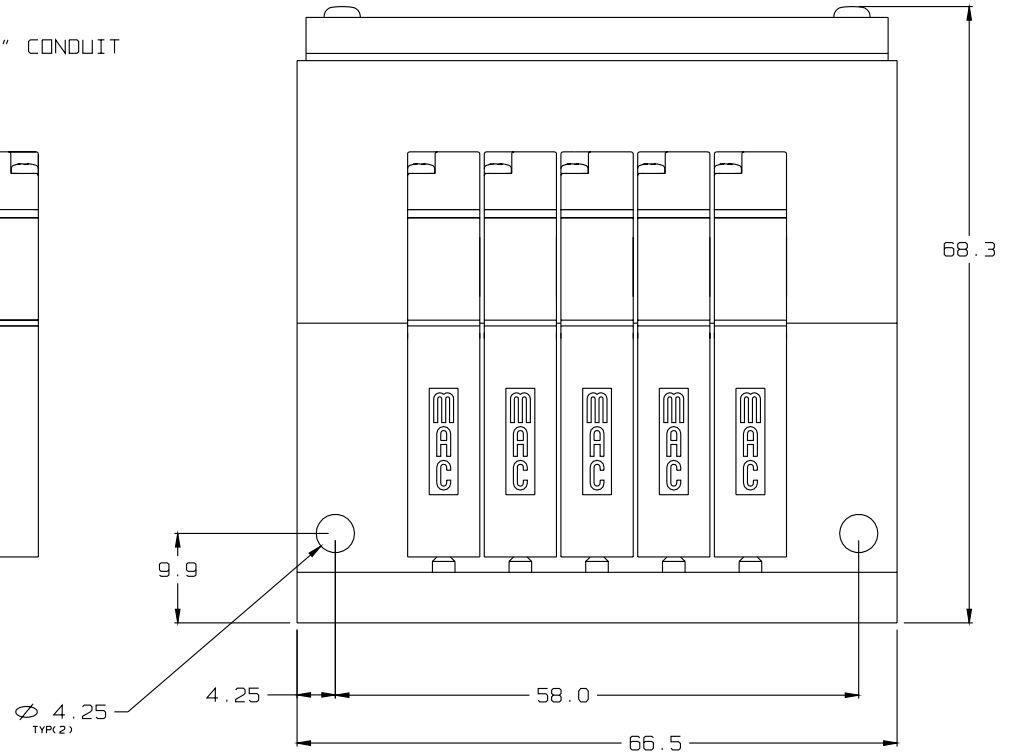
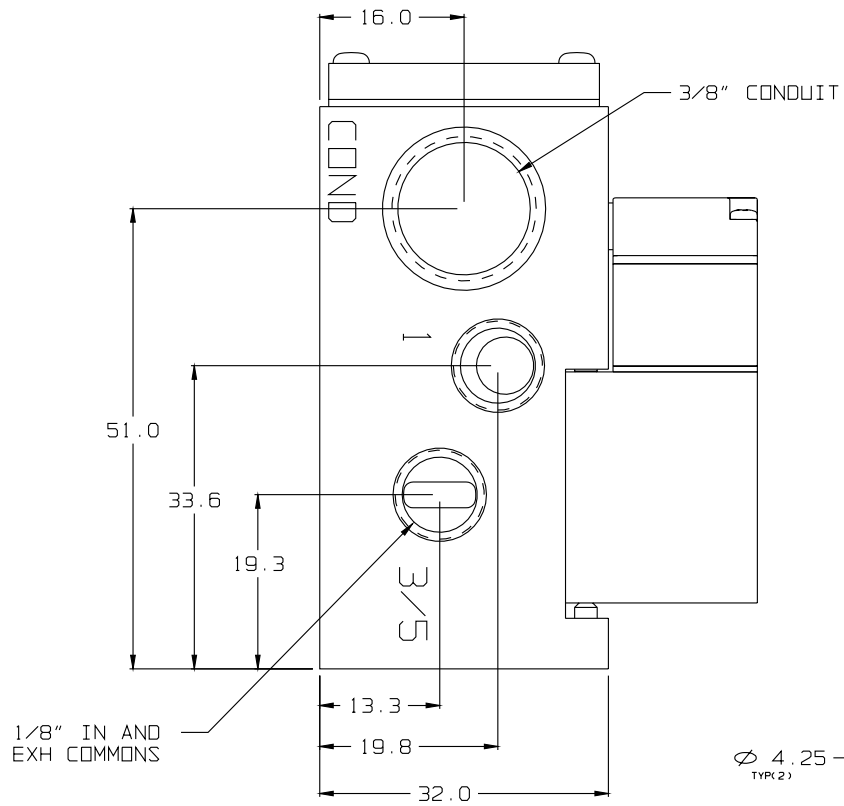




43 SERIES EBP

- DIMENSIONS SHOWN ARE IN MILLIMETERS
- 5 STATION BAR SHOWN
- M3 SIDE PORTS SHOWN
- BA COVER SHOWN





43 SERIES ECD

- DIMENSIONS SHOWN ARE IN MILLIMETERS
- 5 STATION BAR SHOWN
- M3 SIDE PORTS SHOWN

